



**NUCLEAR  
SHIELDS**



**CATALOG**

2023



# NUCLEAR SHIELDS

## STORAGE

Page 7	<u>SOURCE STORAGE CABINET</u>	SSC1C
Page 9	<u>COMPACT LEAD SHIELDED SAFES</u>	SC1432
Page 11	<u>SHIELDED HOTLAB CABINETS</u>	SC122
Page 13	<u>PASS THROUGH BOX</u>	PTB112 / PTB1113
Page 14	<u>LEAD CONTAINERS W/ HANDLEBAR</u>	LSC1160
Page 15	<u>SHIELDED STORAGE CONTAINERS</u>	LS0070
Page 16	<u>TUNGSTEN CONTAINER</u>	VS246
Page 17	<u>LEAD VIAL PIG</u>	LVP112
Page 19	<u>SHIELDED ELUTION CONTAINER</u>	LVP215-E
Page 21	<u>TUNGSTEN TRANSPORT CONTAINER</u>	VS253

## DISPOSAL

Page 25	<u>MOBILE SHIELDED WASTE BIN</u>	S0009
Page 26	<u>MOBILE SHIELDED CONTAINER</u>	LS0069
Page 27	<u>PET MOBILE WASTE BIN</u>	SWB1935-27L
Page 28	<u>MOBILE SHIELDED WASTE BIN</u>	SWB126-239L
Page 29	<u>MOBILE SHIELDED WASTE BIN</u>	SWB112-45L
Page 31	<u>SHIELDED PEDAL WASTE BIN</u>	SWB153
Page 32	<u>SHIELDED WASTE BIN 18 LITER</u>	SWB193
Page 33	<u>SHIELDED SHARPS CONTAINER</u>	SWB113
Page 35	<u>CYCLOTRON TARGET WASTE CASTLE</u>	SWB141
Page 37	<u>NUCLEAR WASTE CONTAINER</u>	NWC1
Page 39	<u>STORAGE &amp; TRANSPORT CASKS</u>	SWB1120

## EQUIPMENT

Page 43	<u>BIG-SCREW SYRINGE SHIELDS</u>	SS2BS
Page 45	<u>CLIP-LOCK SYRINGE SHIELDS</u>	SS2CL
Page 47	<u>LEAD GLASS SYRINGE SHIELDS</u>	SS2LGCL
Page 49	<u>PET SYRINGE SHIELDS</u>	SS2BSP
Page 51	<u>TUNGSTEN VIAL SHIELDS</u>	VS21
Page 53	<u>LEAD GLASS VIAL SHIELDS</u>	VSLG2112
Page 55	<u>DOSE DRAWING STATION</u>	VSDDS
Page 57	<u>SHIELDED SYRINGE CARRIER</u>	SSC11
Page 59	<u>MOBILE LEAD CONTAINER</u>	SWB135
Page 61	<u>LOW BACKGROUND LEAD CASTLES</u>	LC201

## WORKING AREA

Page 65	<u>MOBILE PET BARRIER</u>	MB112
Page 67	<u>L-BLOCK SHIELD</u>	TTS111
Page 69	<u>TABLETOP WORKSTATION</u>	SW145
Page 71	<u>PET QUALITY CONTROL WORKSTATION</u>	SW125
Page 73	<u>SPECT QUALITY CONTROL WORKSTATION</u>	SW1205
Page 74	<u>CYCLOTRON L-BLOCK STATION</u>	SW135
Page 75	<u>MOBILE PET WORKSTATION</u>	SW115
Page 77	<u>SHIELDED NUCLEAR GLOVEBOXES</u>	SGB115
Page 79	<u>SHIELDED BIOSAFETY CABINET</u>	BSC12



# **CONSTRUCTION**

[Page 83](#)   [Adhesive lead sheets](#)  
[Page 85](#)   [Adhesive lead parts](#)  
[Page 87](#)   [Lead glass](#)  
[Page 89](#)   [Lead blankets](#)

[RSW11X](#)  
[LP-ADHESIVE](#)  
[LG100 - LG200](#)  
[LBN11](#)





**NUCLEAR  
SHIELDS**



# STORAGE

<a href="#">Page 7</a>	<a href="#">SOURCE STORAGE CABINET</a>	<a href="#">SSC1C</a>
<a href="#">Page 9</a>	<a href="#">COMPACT LEAD SHIELDED SAFES</a>	<a href="#">SC1432</a>
<a href="#">Page 11</a>	<a href="#">SHIELDED HOTLAB CABINETS</a>	<a href="#">SC122</a>
<a href="#">Page 13</a>	<a href="#">PASS THROUGH BOX</a>	<a href="#">PTB112 / PTB1113</a>
<a href="#">Page 14</a>	<a href="#">LEAD CONTAINERS W/ HANDLEBAR</a>	<a href="#">LSC1160</a>
<a href="#">Page 15</a>	<a href="#">SHIELDED STORAGE CONTAINERS</a>	<a href="#">LS0070</a>
<a href="#">Page 16</a>	<a href="#">TUNGSTEN CONTAINER</a>	<a href="#">VS246</a>
<a href="#">Page 17</a>	<a href="#">LEAD VIAL PIG</a>	<a href="#">LVP112</a>
<a href="#">Page 19</a>	<a href="#">SHIELDED ELUTION CONTAINER</a>	<a href="#">LVP215-E</a>
<a href="#">Page 21</a>	<a href="#">TUNGSTEN TRANSPORT CONTAINER</a>	<a href="#">VS253</a>





**NUCLEAR  
SHIELDS**



# SOURCE STORAGE CABINET

SSC1C

## Specifications

Finishing material	Coated steel
Shielding material	Lead
Shielding thickness	25 mm lead
Outside dimensions	2025 x 672 x 2076 mm (w x d x h)
Inside dimensions	Drawers: 280 x 460 x 305 mm (w x d x h) Doors: 355 x 380 x 395 mm (w x d x h)
Weight	+/- 5400 Kg

## Features

- Store all your radioactive materials safely
- Sophisticated access control system
- Small footprint
- Quick & easy installation (also in small spaces)





**NUCLEAR  
SHIELDS**





# COMPACT LEAD SHIELDED SAFES

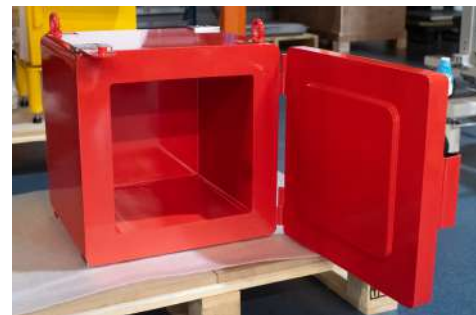
## Specifications

Finishing material	Coated steel
Shielding material	Lead
Shielding thickness	See standard models
Inside dimensions	See standard models
Weight	See standard models

## Features

- Designed to safely store radioactive materials
- Small and modular concept
- Available in many colors and dimensions
- Can be stacked together or used as a standalone safe
- Bottom frame with legs and/or wheels optional

Article code	Shielding thickness	Inside dimensions (w x d x h)	Weight
<b>SC1317</b>	17 mm lead	334 x 334 x 200 mm	+/- 200 kg
<b>SC1432</b>	32 mm lead	204 x 204 x 204 mm	+/- 200 kg
<b>SC1440</b>	40 mm lead	284 x 284 x 360 mm	+/- 450 kg
<b>SC1440-2</b>	40 mm lead	285 x 285 x 285 mm	+/- 420 kg
<b>SC14040</b>	32 mm lead	400 x 400 x 400 mm	+/- 560 kg
<b>SC1462</b>	62 mm lead	150 x 150 x 150 mm	+/- 250 kg
<b>SC1510</b>	10 mm lead (20 mm lead in front door)	300 x 300 x 300 mm	+/- 140 kg





**NUCLEAR  
SHIELDS**



# SHIELDED HOTLAB CABINETS

## Specifications

Finishing material	Stainless steel + HPL
Shielding material	Lead
Shielding thickness	6 / 12.5 / 25 mm
Outside dimensions	730 x 555 x 996 mm (w x d x h)
Inside dimensions	SC121: 361 x 450 x 157 mm (w x d x h) SC122: 400 x 396 x 152 mm (w x d x h) SC123: 360 x 450 x 281 mm (w x d x h) SC126: 112 x 443 x 156 mm (w x d x h)

## Features

- Modular in combination with stainless steel tabletop
- Multiple models to choose from
- Available in many HPL colors and designs
- Clean design for hotlabs





**NUCLEAR  
SHIELDS**



# PASS THROUGH BOX

PTB112

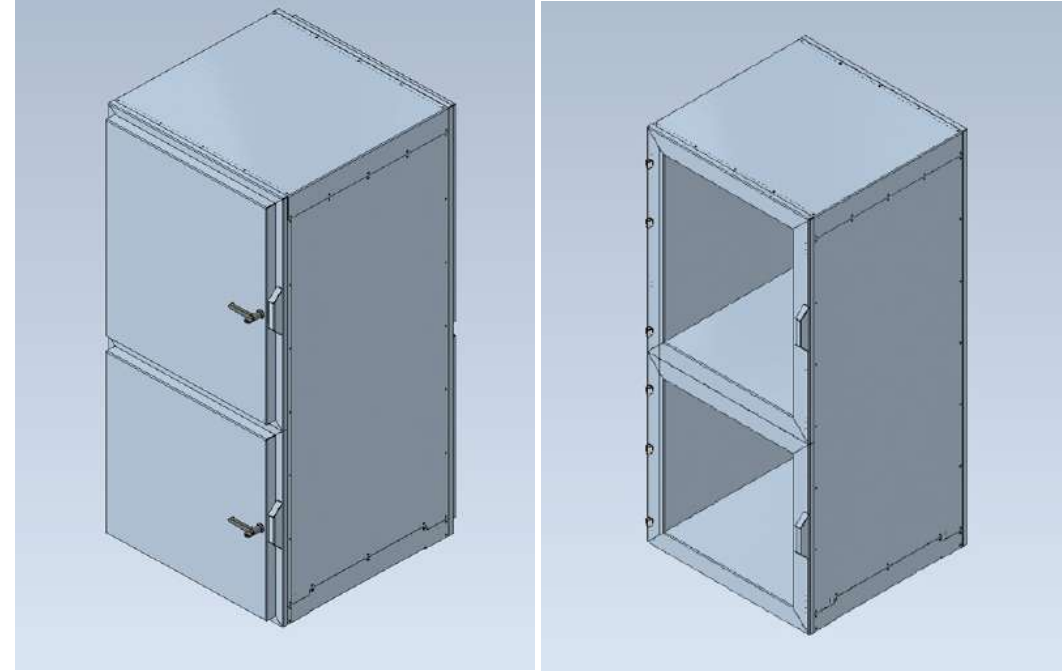
## Specifications

Finishing material	Stainless steel
Shielding material	Lead
Shielding thickness	5 mm
Inside dimensions	400 x 530 x 400 mm
Weight	150 Kg

PTB1113

## Specifications

Finishing material	Stainless steel
Shielding material	Lead
Shielding thickness	10 mm
Outer Door Shielding Thickness	30 mm
Outside dimensions	753 x 817 x 1671 (w x d x h)
Inside dimensions	596 x 735 x 750 mm (Top) 596 x 753 x 612 mm (Bottom)
Weight	127 Kg



# LEAD CONTAINERS W/ HANDLEBAR

LSC1160

## Specifications

Finishing material	Stainless steel
Shielding material	Lead
Shielding thickness	60 mm
Outside dimensions	200 x 270 mm (diameter x height)
Inside dimensions	50 x 120 mm (diameter x height)
Weight	60 Kg

## Features

- Integrated seal to hermetically close the lid
- Can be locked using two padlocks
- Stainless steel finishing for easy cleaning
- Two lifting eyes can be attached to the container
- Lead casted and not glued for durability



# SHIELDED STORAGE CONTAINERS

LS0070

## Specifications

Finishing material	Stainless steel
Shielding material	Lead
Shielding thickness	35 mm
Outside dimensions	160 x 260 mm (diameter x height)
Inside dimensions	80 x 175 mm (diameter x height)
Weight	+/- 45 Kg

## Features

- 3 mm stainless steel outside finishing
- Can be fastened with two M6 nuts
- Lead casted and not glued for durability



# TUNGSTEN CONTAINER

VS246 / VS242

## Specifications

Finishing material	Tungsten
Shielding material	Tungsten
Shielding thickness	6 / 20 mm
Inside dimensions	35 x 80 mm (diameter x height)
Weight	2 Kg / 8,6 kg

## Features

- Completely made from tungsten
- Small tungsten plug for quick access
- Large threaded cap to insert vial





# LEAD VIAL PIG

LVP112

## Specifications

Finishing material	Coated lead
Shielding material	Lead
Shielding thickness	25 mm (1")
Outside dimensions	120 x 94 mm (diameter x height)
Inside dimensions	44 x 70 mm (diameter x height)
Weight	8.2 Kg

## Features

- Safely store and transport your radioactive materials
- Available in multiple lead thicknesses
- Simple and easy-to-clean design





**NUCLEAR  
SHIELDS**



# SHIELDED ELUTION CONTAINER

LVP215-E

## Specifications

Finishing material	Stainless steel exterior / lead interior
Shielding material	Lead
Shielding thickness	47.5 mm
Outside dimensions	130 x 160 mm (diameter x height)
Inside dimensions	30 x 56 mm (diameter x height)
Weight	+/- 23 kg

## Features

- Two tapered holes for insertion of tubes
- Clean stainless steel exterior
- Lid can be secured in place





**NUCLEAR  
SHIELDS**



# TUNGSTEN TRANSPORT CONTAINER

VS253

## Specifications

Finishing material	Tungsten
Shielding material	Tungsten
Shielding thickness	30 mm
Outside dimensions	92 x 130 mm (diameter x height)
Inside dimensions	33 x 58 mm (diameter x height)
Weight	13.7 Kg

## Features

- Convenient handle for easy transportation
- Strong bayonet locking mechanism with safety pin
- Integrated seal to prevent spilling





**NUCLEAR  
SHIELDS**



# DISPOSAL

<a href="#">Page 25</a>	<a href="#">MOBILE SHIELDED WASTE BIN</a>	<a href="#">S0009</a>
<a href="#">Page 26</a>	<a href="#">MOBILE SHIELDED CONTAINER</a>	<a href="#">LS0069</a>
<a href="#">Page 27</a>	<a href="#">PET MOBILE WASTE BIN</a>	<a href="#">SWB1935-27L</a>
<a href="#">Page 28</a>	<a href="#">MOBILE SHIELDED WASTE BIN</a>	<a href="#">SWB126-239L</a>
<a href="#">Page 29</a>	<a href="#">MOBILE SHIELDED WASTE BIN</a>	<a href="#">SWB112-45L</a>
<a href="#">Page 31</a>	<a href="#">SHIELDED PEDAL WASTE BIN</a>	<a href="#">SWB153</a>
<a href="#">Page 32</a>	<a href="#">SHIELDED WASTE BIN 18 LITER</a>	<a href="#">SWB193</a>
<a href="#">Page 33</a>	<a href="#">SHIELDED SHARPS CONTAINER</a>	<a href="#">SWB113</a>
<a href="#">Page 35</a>	<a href="#">CYCLOTRON TARGET WASTE CASTLE</a>	<a href="#">SWB141</a>
<a href="#">Page 37</a>	<a href="#">NUCLEAR WASTE CONTAINER</a>	<a href="#">NWC1</a>
<a href="#">Page 39</a>	<a href="#">STORAGE &amp; TRANSPORT CASKS</a>	<a href="#">SWB1120</a>





**NUCLEAR  
SHIELDS**





# MOBILE SHIELDED WASTE BIN

S0009

## Specifications

Finishing material	Stainless steel (interior & exterior)
Shielding material	Lead
Shielding thickness	12 / 25 mm
Outside dimensions	494 x 494 x 811 mm (w x d x h)
Inside dimensions	430 x 430 x 580 mm (w x d x h)
Weight	+/- 260 Kg

## Features

- Interior and exterior finished with stainless steel
- Two ways of opening to minimize handling times
- Gas springs to support while opening & closing the large lid



For all your shielding projects.

Radiation shielding | Disposal 25/89

# MOBILE SHIELDED CONTAINER

LS0069

## Specifications

Outside material	Stainless steel exterior / coated lead interior
Shielding material	Lead
Shielding thickness	5 mm
Outside dimensions	800 x 800 x 1.000 mm (w x d x h) / 1.600 x 800 x 1.000 mm (w x d x h)
Inside dimensions	765 x 765 x 965 mm (w x d x h) / 1.462 / 644 / 927 mm (w x d x h)
Port dimensions	342 x 242 mm (w x d)
Weight	+/- 450 kg / 803 kg

## Features

- Small sliding lid for quick disposal of radioactive waste
- Convenient mobile design
- Supported large lid for disposal of large volumes
- Both lids are lockable with padlocks
- Strong wheeling structure for relocating the container
- Available in 800x800mm and 1600x800mm model



# PET MOBILE WASTE BIN

SWB1935-27L

## Specifications

Finishing material	Stainless steel interior and exterior
Shielding material	Lead
Shielding thickness	35 mm
Inside dimensions	300 x 300 x 300 mm (w x d x h)
Weight	385 kg

## Features

- Suitable for PET
- Gas spring supported top lid
- Can be locked with a padlock



# MOBILE SHIELDED WASTE BIN

SWB126-239L

## Specifications

Outside material	Stainless steel exterior
Shielding material	Lead
Shielding thickness	6 mm
Outside dimensions	638 x 795 x 960 mm (w x d x h)
Inside dimensions	555 x 555 x 776 mm (w x d x h)
Port dimensions	300 x 300 mm (w x d)
Weight	287 kg

## Features

- Small sliding lid for quick disposal of radioactive waste
- Convenient mobile design
- Supported large lid for disposal of large volumes
- Big handle bar for quick movement
- Strong wheeling structure for relocating the container



# MOBILE SHIELDED WASTE BIN

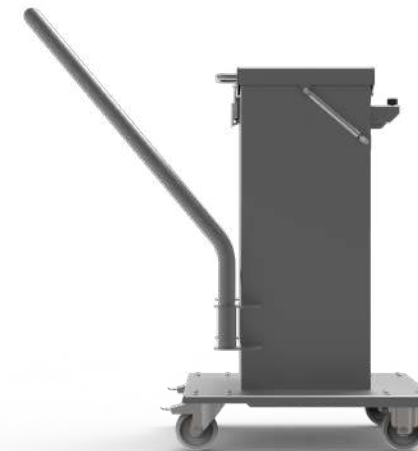
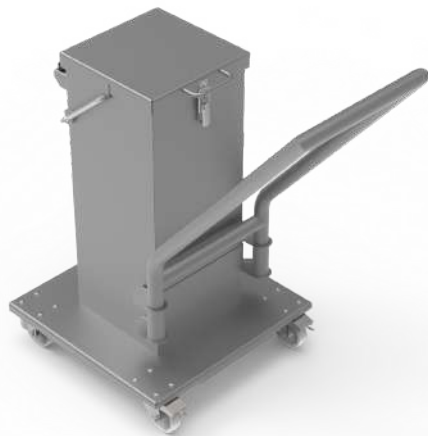
SWB112-45L

## Specifications

Finishing material	Stainless steel interior
Shielding material	Lead
Shielding thickness	20 mm
Outside dimensions	583 x 583 x 906 mm (w x d x h)
Inside dimensions	255 x 255 x 718 mm (w x d x h)
Weight	290 kg

## Features

- Big handlebar for easy movement
- Lockable wheels
- Can be locked with a padlock





**NUCLEAR  
SHIELDS**



# SHIELDED PEDAL WASTE BIN

## Specifications

Finishing material	Stainless steel exterior / Painted lead interior
Shielding material	Lead
Shielding thickness	3 / 6 mm
Volume	27L / 45L / 80L
Weight	See table on the right

## Features

- Available in multiple sizes and shielding thicknesses
- Pedal opening for ergonomic opening of shielded lid
- Optional mobile platform available to easily transport
- Clean stainless steel exterior finishing

Article code	Shielding	Inside dimensions (w x d x h)	Weight
<b>SWB153-27L</b>	3 mm lead	275 x 275 x 370 mm	+/- 29 kg
<b>SWB153-45L</b>	3 mm lead	275 x 275 x 520 mm	+/- 37 kg
<b>SWB153-80L</b>	3 mm lead	440 x 370 x 565 mm	+/- 90 kg
<b>SWB156-27L</b>	6 mm lead	275 x 275 x 370 mm	+/- 50 kg
<b>SWB156-45L</b>	6 mm lead	275 x 275 x 520 mm	+/- 64 kg
<b>SWB153-P</b>	Mobile platform		



# SHIELDED WASTE BIN 18 LITER

SWB193

## Specifications

Finishing material	Stainless steel exterior, coated lead interior
Shielding material	Lead
Shielding thickness	3 mm
Outside dimensions	262 x 181 x 555 mm (w x d x h)
Inside dimensions	250 x 150 x 555 mm (w x d x h)
Weight	26,15 Kg

## Features

- Compact tabletop version
- Easy to use hinged opening
- Easy to clean stainless steel housing





# SHIELDED SHARPS CONTAINER

SWB113 / SWB116

## Specifications

Finishing material	Stainless steel exterior, coated lead interior
Shielding material	Lead
Shielding thickness	3 / 6 mm
Outside dimensions	228 x 273 x 295 mm (w x d x h)
Inside dimensions	191/185 x 191/185 x 250/244 mm (w x d x h)
Weight	20 / 35 Kg
Port dimensions	120 x 70 mm

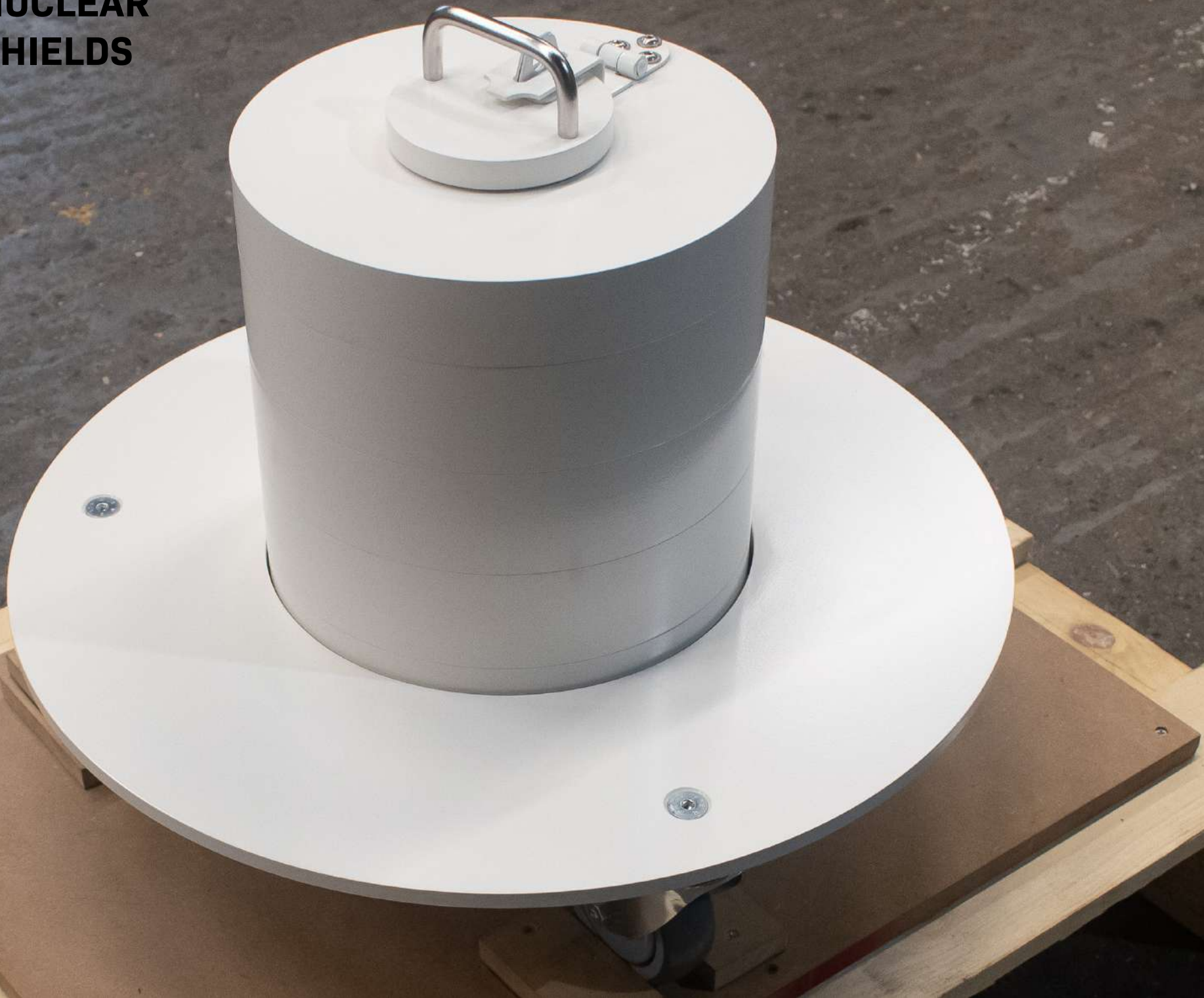
## Features

- No heavy top lid that you have to lift off
- Small lid to quickly dispose of sharps
- Convenient handles to move container





**NUCLEAR  
SHIELDS**



# CYCLOTRON TARGET WASTE CASTLE

SWB141

## Specifications

Finishing material	Coated steel
Shielding material	Lead
Shielding thickness	100 mm
Outside dimensions	550 x 450 mm (diameter x height)
Inside dimensions	60 x 240 mm (diameter x height)
Weight	+/- 230 Kg

## Features

- Inner stainless steel tube can be taken out
- Lockable latch for padlock
- Easily transportable with wheels
- Additional lead shielding rings optional





**NUCLEAR  
SHIELDS**



# NUCLEAR WASTE CONTAINER

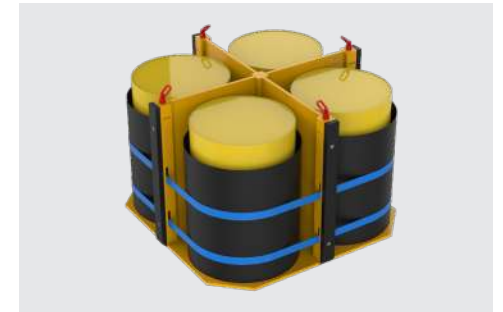
NWC1

## Specifications

Finishing material	Multi-layer coated steel
Shielding material	Lead / steel
Shielding thickness	0 / 10 / 20 / 30 / 40 / 50 mm lead
Outside dimensions	1.730 x 1.730 x 1.267 mm (w x d x h)
Inside dimensions	Request brochure for details
Weight	Request brochure for details

## Features

- Store your LLW/ILW directly, or overpack your drums
- Multi-layer leak prevention design
- IP1 or IP2 (pending on testing)
- Multiple ways to handle the container and drum handling system





**NUCLEAR  
SHIELDS**



**MAX GROSS** KG 5.600  
LB 12.346  
**TARE** KG 4.600  
LB 10.141  
**NET** KG 1.000  
LB 2.205



**MAX GROSS**  
**TARE**  
**NET**

# STORAGE & TRANSPORT CASKS

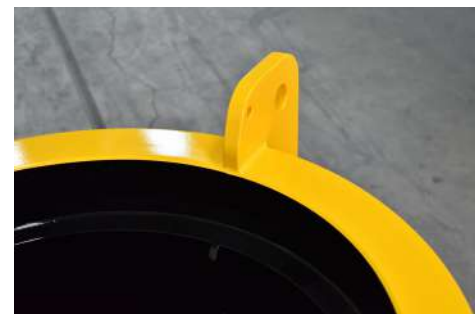
SWB1120

## Specifications

Finishing material	Coated steel
Shielding material	Lead + steel
Shielding thickness	95 mm lead + 25 mm steel in sides / 72 mm lead + 30 mm steel in bottom + top
Outside dimensions	1000 x 1000 x 1567 mm (w x d x h)
Inside dimensions	660 x 937 mm (diameter x h)
Weight	4.590 Kg

## Features

- Store all your radioactive materials safely
- Designed for overpacking and transportation of 200 liter drums
- Easily picked up with a forklift or lifted by a crane
- Can be fastened to a (remote controlled) trolley on the bottom frame
- Container seals with registration number for your registration system.





**NUCLEAR  
SHIELDS**





# EQUIPMENT

<a href="#">Page 41</a>	<a href="#">BIG-SCREW SYRINGE SHIELDS</a>	<a href="#">SS2BS</a>
<a href="#">Page 43</a>	<a href="#">CLIP-LOCK SYRINGE SHIELDS</a>	<a href="#">SS2CL</a>
<a href="#">Page 45</a>	<a href="#">LEAD GLASS SYRINGE SHIELDS</a>	<a href="#">SS2LGCL</a>
<a href="#">Page 47</a>	<a href="#">PET SYRINGE SHIELDS</a>	<a href="#">SS2BSP</a>
<a href="#">Page 49</a>	<a href="#">TUNGSTEN VIAL SHIELDS</a>	<a href="#">VS21</a>
<a href="#">Page 51</a>	<a href="#">LEAD GLASS VIAL SHIELDS</a>	<a href="#">VSLG2112</a>
<a href="#">Page 53</a>	<a href="#">DOSE DRAWING STATION</a>	<a href="#">VSDDS</a>
<a href="#">Page 55</a>	<a href="#">SHIELDED SYRINGE CARRIER</a>	<a href="#">SSC11</a>
<a href="#">Page 57</a>	<a href="#">MOBILE LEAD CONTAINER</a>	<a href="#">SWB135</a>
<a href="#">Page 59</a>	<a href="#">LOW BACKGROUND LEAD CASTLES</a>	<a href="#">LC201</a>





**NUCLEAR  
SHIELDS**



# BIG-SCREW SYRINGE SHIELDS

SS2BS

## Specifications

Finishing material	Anodized aluminum
Shielding material	Tungsten / lead glass (5.2 g/cm <sup>3</sup> )
Shielding thickness	2 mm tungsten
Outside dimensions	Depending on model
Inside dimensions	Depending on model
Weight	Depending on model

## Features

- High quality anodized aluminum finishing
- Convenient big-screw to secure your syringes
- Your syringe diameter will always fit because of the big-screw
- Tungsten barrel painted white on the inside for better visibility
- Lead glass edges covered by anodized aluminum case

Please refer to the models below, or ask for the size chart document.



### Versions for 1 ml

SS2BS1-1	8.8 x 72 mm
SS2BS1-2	8.8 x 76 mm
SS2BS1-3	11.5 x 76 mm

### Versions for 2 ml

SS2BS2-4	11.5 x 53 mm
SS2BS2-5	11.5 x 60 mm

### Versions for 3 ml

SS2BS3-6	11.5 x 65 mm
SS2BS3-7	11.5 x 69 mm

### Versions for 5 ml

SS2BS5-8	15.4 x 61 mm
SS2BS5-9	15.4 x 65 mm
SS2BS5-10	15.4 x 68 mm

### Versions for 10 ml

SS2BS10-11	18.2 x 75 mm
SS2BS10-12	18.2 x 85 mm

Color	Green anodized	Color	Silver anodized	Color	Gold anodized	Color	Blue anodized	Color	Red anodized
-------	----------------	-------	-----------------	-------	---------------	-------	---------------	-------	--------------



For all your shielding projects.



**NUCLEAR  
SHIELDS**



# CLIP-LOCK SYRINGE SHIELDS

SS2CL

## Specifications

Finishing material	Anodized aluminum
Shielding material	Tungsten / lead glass (5.2 g/cm <sup>3</sup> )
Shielding thickness	2 mm tungsten
Outside dimensions	Depending on model
Inside dimensions	Depending on model
Weight	Depending on model

## Features

- High quality anodized aluminum finishing
- Convenient clip-lock to secure your syringes
- Tungsten barrel painted white on the inside for better visibility
- Lead glass edges covered by anodized aluminum case

Please refer to the models below, or ask for the size chart document.



### Versions for 1 ml

SS2CL1-1	8.8 x 72 mm
SS2CL1-2	8.8 x 76 mm
SS2CL1-3	11.5 x 76 mm

### Versions for 2 ml

SS2CL2-4	11.5 x 53 mm
SS2CL2-5	11.5 x 60 mm

### Versions for 3 ml

SS2CL3-6	11.5 x 65 mm
SS2CL3-7	11.5 x 69 mm

### Versions for 5 ml

SS2CL5-8	15.4 x 61 mm
SS2CL5-9	15.4 x 65 mm
SS2CL5-10	15.4 x 68 mm

### Versions for 10 ml

SS2CL10-11	18.2 x 75 mm
SS2CL10-12	18.2 x 85 mm

Color	Green anodized	Color	Silver anodized	Color	Gold anodized	Color	Blue anodized	Color	Red anodized
-------	----------------	-------	-----------------	-------	---------------	-------	---------------	-------	--------------



For all your shielding projects.



**NUCLEAR  
SHIELDS**



# LEAD GLASS SYRINGE SHIELDS

SS2LGCL

## Specifications

Finishing material	Anodized aluminum
Shielding material	Tungsten / lead glass (5.2 g/cm <sup>3</sup> )
Shielding thickness	2 mm tungsten / 7 mm lead glass
Outside dimensions	Depending on model
Inside dimensions	Depending on model
Weight	Depending on model

## Features

- Optimal visibility with 360° viewing window
- Rubber O-ring for lead glass protection
- Quick & easy Clip-Lock mechanism

Please refer to the models below, or ask for the size chart document.



### Versions for 1 ml

SS2LGCL1-1	8.8 x 72 mm
SS2LGCL1-2	8.8 x 76 mm
SS2LGCL1-3	11.5 x 76 mm

### Versions for 2 ml

SS2LGCL2-4	11.5 x 53 mm
SS2LGCL2-5	11.5 x 60 mm

### Versions for 3 ml

SS2LGCL3-6	11.5 x 65 mm
SS2LGCL3-7	11.5 x 69 mm

### Versions for 5 ml

SS2LGCL5-8	15.4 x 61 mm
SS2LGCL5-9	15.4 x 65 mm
SS2LGCL5-10	15.4 x 68 mm

### Versions for 10 ml

SS2LGCL10-11	18.2 x 75 mm
SS2LGCL10-12	18.2 x 85 mm

Color	Green anodized	Color	Silver anodized	Color	Gold anodized	Color	Blue anodized	Color	Red anodized
-------	----------------	-------	-----------------	-------	---------------	-------	---------------	-------	--------------



For all your shielding projects.



**NUCLEAR  
SHIELDS**





# PET SYRINGE SHIELDS

SS2BSP

## Specifications

Finishing material	Anodized aluminum
Shielding material	Tungsten / lead glass (5.2 g/cm <sup>3</sup> )
Shielding thickness	8 mm tungsten
Outside dimensions	Depending on model
Inside dimensions	Depending on model
Weight	Depending on model

## Features

- Grip in anodized aluminum case
- Smaller lead glass viewing window to optimize protection
- Trusted Big-Screw mechanism

Please refer to the models below, or ask for the size chart document.



### Versions for 1 ml

SS2BS1-1P	8.8 x 72 mm
SS2BS1-2P	8.8 x 76 mm
SS2BS1-3P	11.5 x 76 mm

### Versions for 2 ml

SS2BS2-4P	11.5 x 53 mm
SS2BS2-5P	11.5 x 60 mm

### Versions for 3 ml

SS2BS3-6P	11.5 x 65 mm
SS2BS3-7P	11.5 x 69 mm

### Versions for 5 ml

SS2BS5-8P	15.4 x 61 mm
SS2BS5-9P	15.4 x 65 mm
SS2BS5-10P	15.4 x 68 mm

### Versions for 10 ml

SS2BS10-11P	18.2 x 75 mm
SS2BS10-12P	18.2 x 85 mm

Color	Green anodized	Color	Silver anodized	Color	Gold anodized	Color	Blue anodized	Color	Red anodized
-------	----------------	-------	-----------------	-------	---------------	-------	---------------	-------	--------------





**NUCLEAR  
SHIELDS**



# TUNGSTEN VIAL SHIELDS

VS21

## Specifications

Finishing material	Anodized aluminum + tungsten
Shielding material	Tungsten
Shielding thickness	4 or 6 mm
Outside dimensions	49 x 85 or 50 x 91 mm (depends on shielding)
Inside dimensions	27 x 61 mm (diameter x height)
Weight	1.23 or 1.72 Kg (depends on shielding)
Cap type	Magnetic or sliding (see images below)

## Features

- High quality anodized aluminum finishing
- Lead glass covered by anodized aluminum case
- Magnetic or sliding vial cap available
- Bottom and top parts can easily be twisted off
- Inserts available to position vials
- Fits Vials up to 15 ml





**NUCLEAR  
SHIELDS**



# LEAD GLASS VIAL SHIELDS

VSLG2112

## Specifications

Finishing material	Anodized aluminum + lead glass
Shielding material	Tungsten / lead glass
Shielding thickness	4 mm tungsten / 12.5 mm lead glass
Outside dimensions	65 x 91.60 mm (diameter x height)
Inside dimensions	30 x 59.30 mm (diameter x height)
Weight	1.1 kg
Cap type	Magnetic twist

## Features

- Maximum visibility
- High quality anodized aluminum finishing
- Lead glass covered by anodized aluminum case
- Bottom and top parts can easily be disassembled
- Inserts available to position vials





**NUCLEAR  
SHIELDS**



# DOSE DRAWING STATION

VSDDS

## Specifications

Finishing material	Anodized Aluminium (Black)
Dimensions	125 x 200 x 405 mm (W x D x H)
Angle	45° - 90°
Application	Magnetic-, Sliding and Lead Glass Vial Shields
Weight	1,2 Kg
Options	Place holders for Syringe Shields

## Features

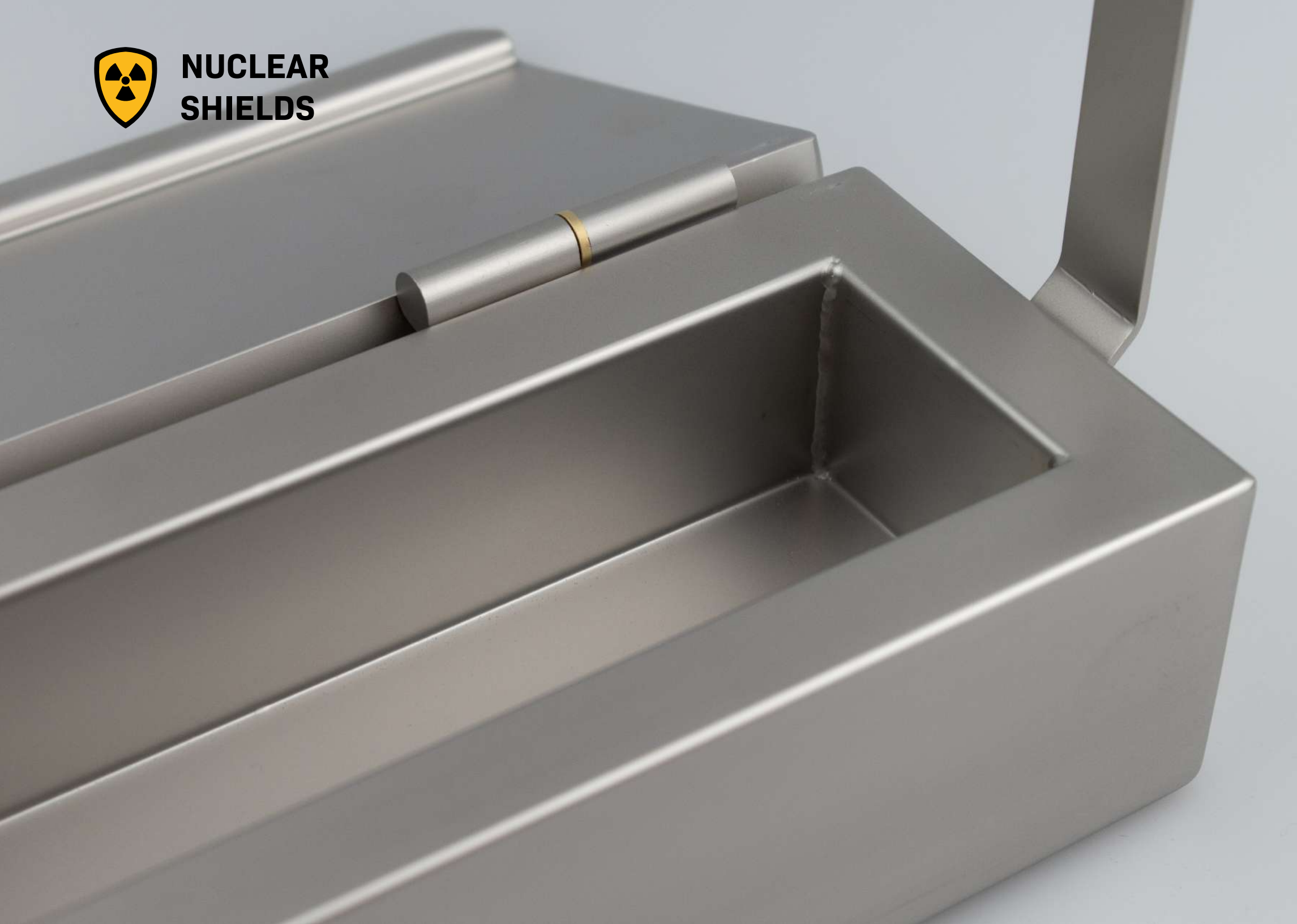
- Easy to use
- Ergonomic working position
- Adjustable



For all your shielding projects.



**NUCLEAR  
SHIELDS**





# SHIELDED SYRINGE CARRIER

SSC11

## Specifications

Finishing material	Stainless steel
Dimensions	Lead
Angle	3 / 6 mm
Application	260 x 93 x 125 mm (w x d x h)
Weight	213 x 40 x 40 mm (w x d x h)
Options	5.9 / 8.9 Kg

## Features

- Clean stainless steel design
- Small carrying case





**NUCLEAR  
SHIELDS**



# MOBILE LEAD CONTAINER

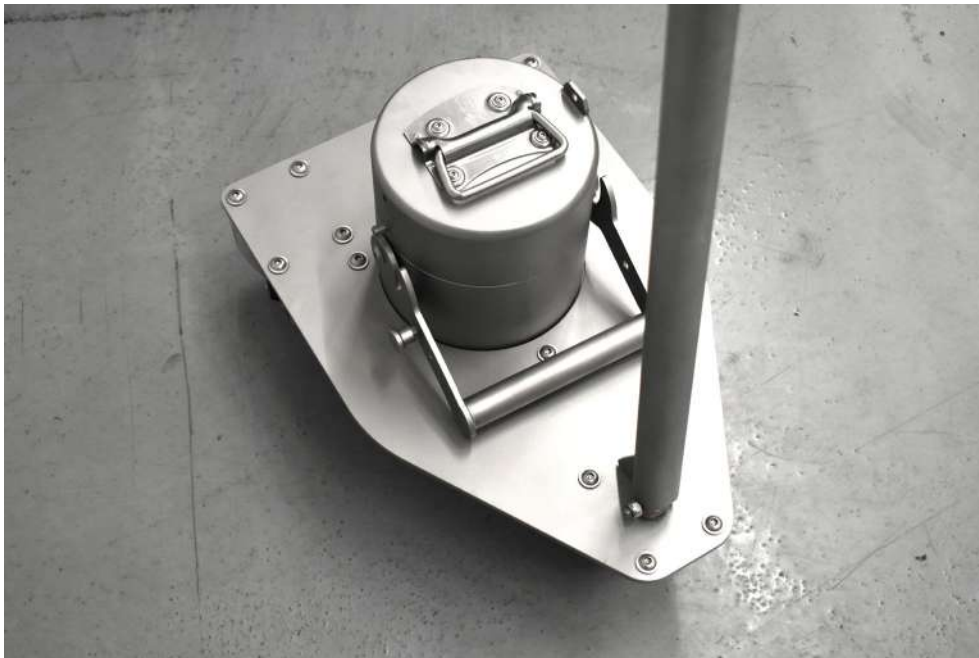
SWB135

## Specifications

Finishing material	Coated steel / coated lead
Shielding material	Lead
Shielding thickness	50 mm
Outside dimensions	Mobile cart: 480 x 320 x 1000 mm (w x d x h) lead pot: 170 x 237 mm (diamter x h)
Inside dimensions	lead pot: 60 x 127 mm (diameter x h)
Weight	65 Kg

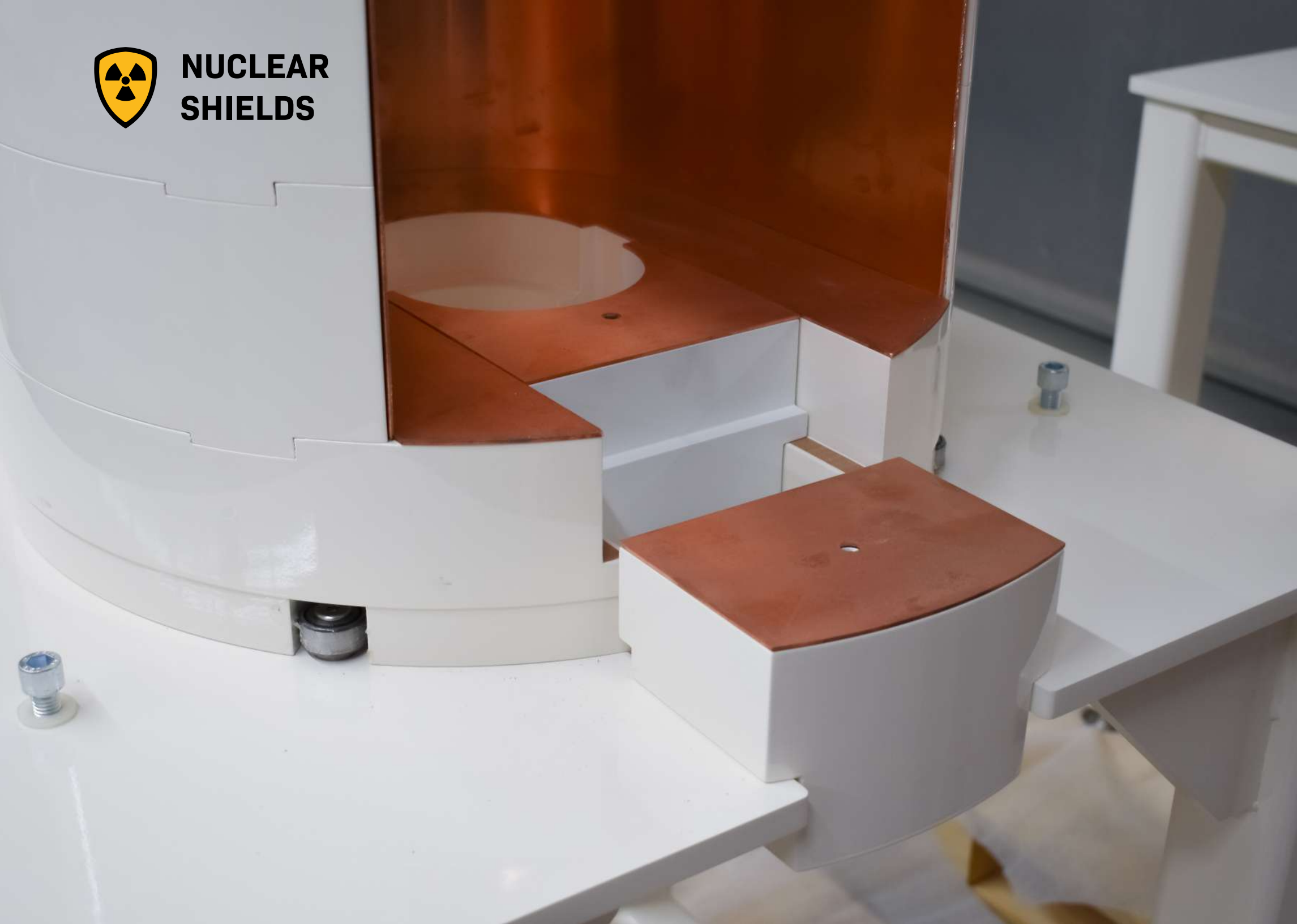
## Features

- Optimal for PET
- Easy, secure and ergonomic transportation
- Lifting eyes integrated for lead pot
- Swiveling handlebar and front wheel for optimized flexibility





**NUCLEAR  
SHIELDS**



# LOW BACKGROUND LEAD CASTLES

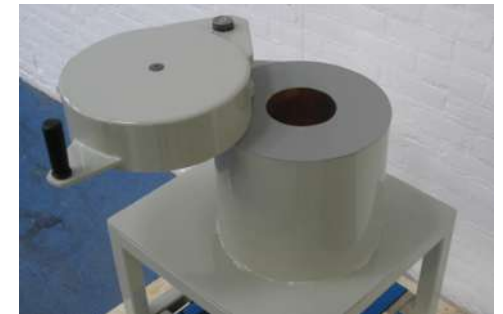
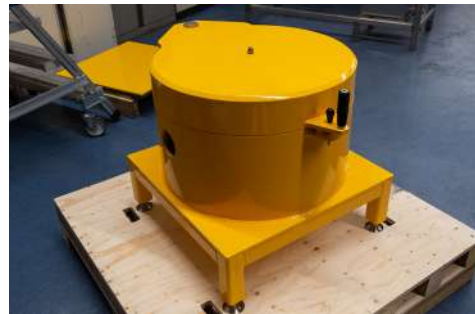
LC201

## Specifications

Finishing material	Coated lead
Shielding material	Lead / low background lead / copper
Shielding thickness	Contact us for more information
Inside dimensions	Contact us for more information

## Features

- Low background lead used for minimal background radiation
- Available in many models for your application
- Possibility of inner liners





**NUCLEAR  
SHIELDS**



# WORKING AREA

<a href="#">Page 63</a>	<a href="#">MOBILE PET BARRIER</a>	<a href="#">MB112</a>
<a href="#">Page 65</a>	<a href="#">L-BLOCK SHIELD</a>	<a href="#">TTS111</a>
<a href="#">Page 67</a>	<a href="#">TABLETOP WORKSTATION</a>	<a href="#">SW145</a>
<a href="#">Page 69</a>	<a href="#">PET QUALITY CONTROL WORKSTATION</a>	<a href="#">SW125</a>
<a href="#">Page 71</a>	<a href="#">SPECT QUALITY CONTROL WORKSTATION</a>	<a href="#">SW1205</a>
<a href="#">Page 72</a>	<a href="#">CYCLOTRON L-BLOCK STATION</a>	<a href="#">SW135</a>
<a href="#">Page 73</a>	<a href="#">MOBILE PET WORKSTATION</a>	<a href="#">SW115</a>
<a href="#">Page 75</a>	<a href="#">SHIELDED NUCLEAR GLOVEBOXES</a>	<a href="#">SGB115</a>
<a href="#">Page 77</a>	<a href="#">SHIELDED BIOSAFETY CABINET</a>	<a href="#">BSC12</a>





**NUCLEAR  
SHIELDS**





# MOBILE PET BARRIER

MB112

## Specifications

Finishing material	Coated steel
Shielding material	Lead / lead glass
Shielding thickness	10 / 20 / 30 mm
Outside dimensions	1190 x 555 x 1655 mm (w x d x h)
Shielding dimensions	400 x 10/20/30 x 1500 mm (w x d x h)
Lead glass dimensions	340 x 220 x 55 mm (w x d x h)
Weight	Depending on configuration

## Features

- Stainless steel tray behind shielding to store your equipment
- A standing platform can be placed for optimized ergonomics
- Large lead glass viewing window
- Available in multiple shielding thicknesses





**NUCLEAR  
SHIELDS**

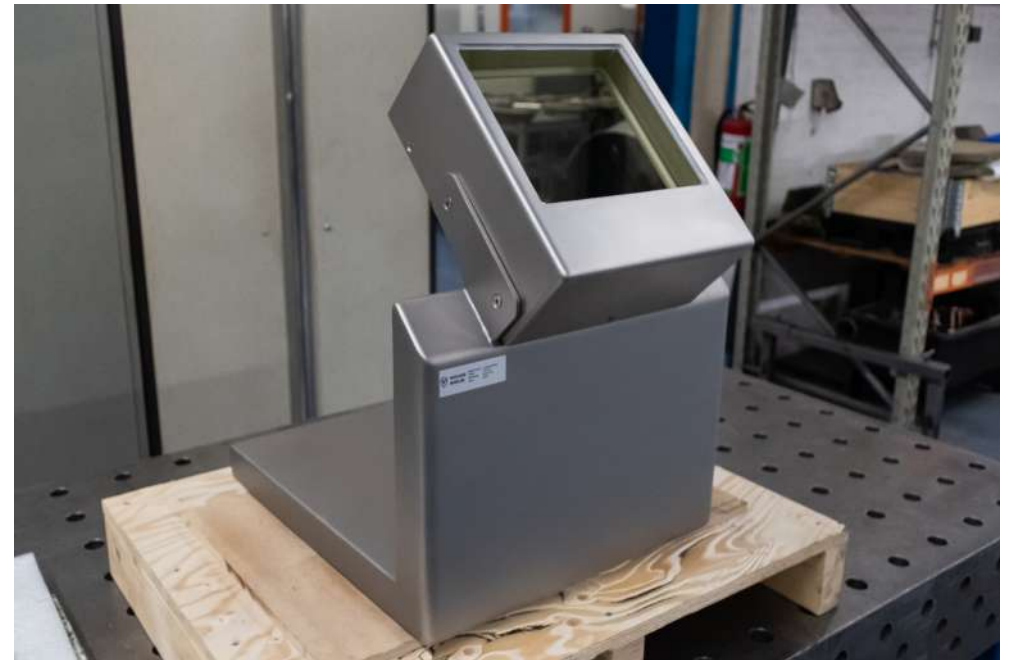


# L-BLOCK SHIELD

## Specifications

Finishing material	Stainless steel
Shielding material	Lead / lead glass
Shielding thickness	12.5 / 20 / 30 / 50 mm
Outside dimensions	Depending on configuration
Viewing window	Depending on configuration
Weight	Depending on configuration

Article code	Shielding	Outside dimensions (w x d x h)	Weight
<b>TTS111</b>	12.5 mm lead	422 x 505 x 850 mm	+/- 85 kg
<b>TTS112</b>	20 mm lead	422 x 505 x 580 mm	+/- 135 kg
<b>TTS113</b>	30 mm lead	426 x 516 x 605 mm	+/- 192 kg
<b>TTS115</b>	50 mm lead	425 x 465 x 585 mm	+/- 240 kg





**NUCLEAR  
SHIELDS**



# TABLETOP WORKSTATION

SW145

## Specifications

Finishing material	Stainless steel
Shielding material	Lead + Aluminium
Shielding thickness	5 mm + 10 mm
Outside dimensions	600 x 420 x 420 mm (w x d x h)
Inside dimensions	575 x 375 x 390 mm (w x d x h)
Weight	60 Kg



SW148

## Specifications

Finishing material	Stainless steel
Shielding material	Lead + Aluminium
Shielding thickness	8 mm + 10 mm
Outside dimensions	636 x 434 x 493 mm (w x d x h)
Inside dimensions	564 x 362 x 293 mm (w x d x h)
Weight	133 Kg





**NUCLEAR  
SHIELDS**



# PET QUALITY CONTROL WORKSTATION

SW125 / SW125-W

## Specifications

Finishing material	Stainless steel
Shielding material	Lead / lead glass
Shielding thickness	50 mm
Outside dimensions	1350 x 650 x 1420 mm (w x d x h)
Inside dimensions	890 x 540 x 250 mm (w x d x h)
Weight	1150 Kg

## Features

- Ideal for PET quality control
- Integrated dose calibrator shielding
- Optimal waste bin





**NUCLEAR  
SHIELDS**





# SPECT QUALITY CONTROL WORKSTATION

SW1205

## Specifications

Finishing material	Stainless steel
Shielding material	Lead / lead glass
Shielding thickness	5 mm
Outside dimensions	1008 x 658 x 1167 mm
Inside dimensions	958 x 608 x 256 mm
Weight	318 kg

## Features

- Integrated dose calibrator shielding
- Optimal waste bin



# CYCLOTRON L-BLOCK STATION

SW135



## Specifications

Finishing material	Coated steel
Shielding material	Lead / lead glass
Shielding thickness	50 mm
Outside dimensions	1100 x 600 x 1460 mm (w x d x h)
Inside dimensions	990 x 490 x 250 mm (w x d x h)
Weight	1650 Kg

## Features

- Ideal for cyclotron maintenance
- Integrated shielded safe (50 mm lead)
- Clean design for easy decontamination
- Lead glass viewing window for visibility during operations



# MOBILE PET WORKSTATION

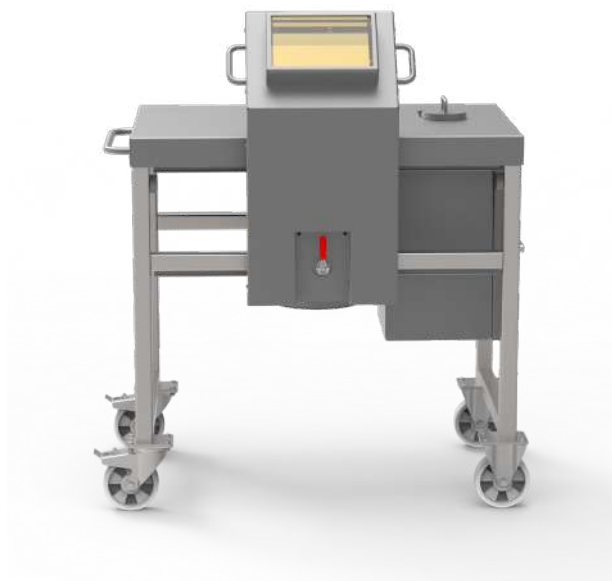
SW115

## Specifications

Finishing material	Stainless steel
Shielding material	Lead / lead glass
Shielding thickness	50 mm
Outside dimensions	1238 x 846 x 1408 mm (w x d x h)
Inside dimensions	Waste bin enclosure: 246 x 250 x 396 mm Dose calibrator well: 174 x 174 x 472 mm
Viewing window	270 x 170 x 110 mm (w x h x d)

## Features

- Portable workstation
- Sliding lead glass viewing window
- Ideal for small PET hotlabs
- Integrated dose calibrator well and waste bin enclosure
- Left-to-right workflow concept





**NUCLEAR  
SHIELDS**



# SHIELDED NUCLEAR GLOVEBOXES

SGB115

## Specifications

Finishing material	Stainless steel
Shielding material	Lead / lead glass
Shielding thickness	According to customer requirements
Outside dimensions	According to customer requirements
Inside dimensions	According to customer requirements

## Features

- Ideal for handling radioactive materials
- Large lead glass viewing window possible
- Completely manufactured to end-user requirements
- Integration of external equipment possible





**NUCLEAR  
SHIELDS**



# SHIELDED BIOSAFETY CABINET

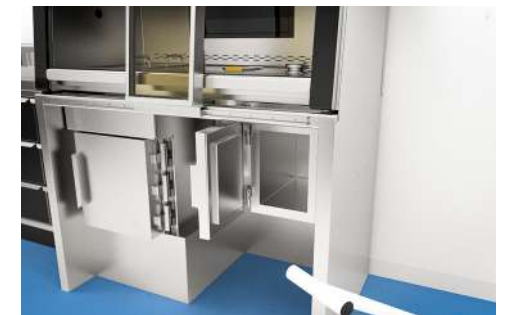
BSC12

## Specifications

Finishing material	Stainless steel / coated steel
Shielding material	Lead / lead glass
Shielding thickness	Working area: 5 / 10 mm Generator compartment: 25 / 50 / 75 mm Dose calibrator compartment: 10 / 20 / 50 mm Waste bin compartment: 10 / 20 / 30 mm
Outside dimensions	Request information
Inside dimensions	Request information

## Features

- Optimal for preparation of radiopharmaceuticals
- Sliding lead glass viewing window
- Shielded dose calibrator, generator and waste bin compartments
- Integrated dose calibrator screen optional
- **More information available, ask your contact person!**



**CONSTRUCTION**



[Page 81](#)   [Adhesive lead sheets](#)  
[Page 83](#)   [Adhesive lead parts](#)  
[Page 85](#)   [Lead glass](#)  
[Page 87](#)   [Lead blankets](#)

[RSW11X](#)  
[LP-ADHESIVE](#)  
[LG100 - LG200](#)  
[LBN11](#)





**NUCLEAR  
SHIELDS**



# ADHESIVE LEAD SHEET ROLLS

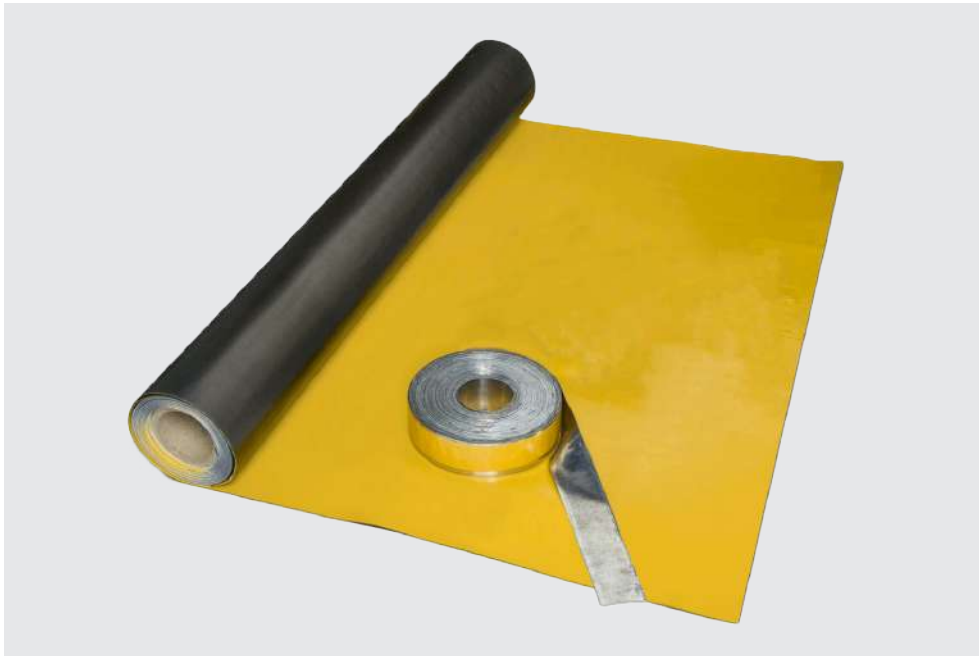
RSW11X

## Specifications

Finishing material	Coated lead
Shielding material	Lead
Shielding thickness	0.5 / 1 / 1.5 / 2 mm
Dimensions	See website page for sizing information.

## Features

- Optimized for easy application of lead lining
- Available in various lead thicknesses and sizes
- **Can be made according to your drawings for adhesive shielding parts!**





**NUCLEAR  
SHIELDS**



# ADHESIVE LEAD PARTS

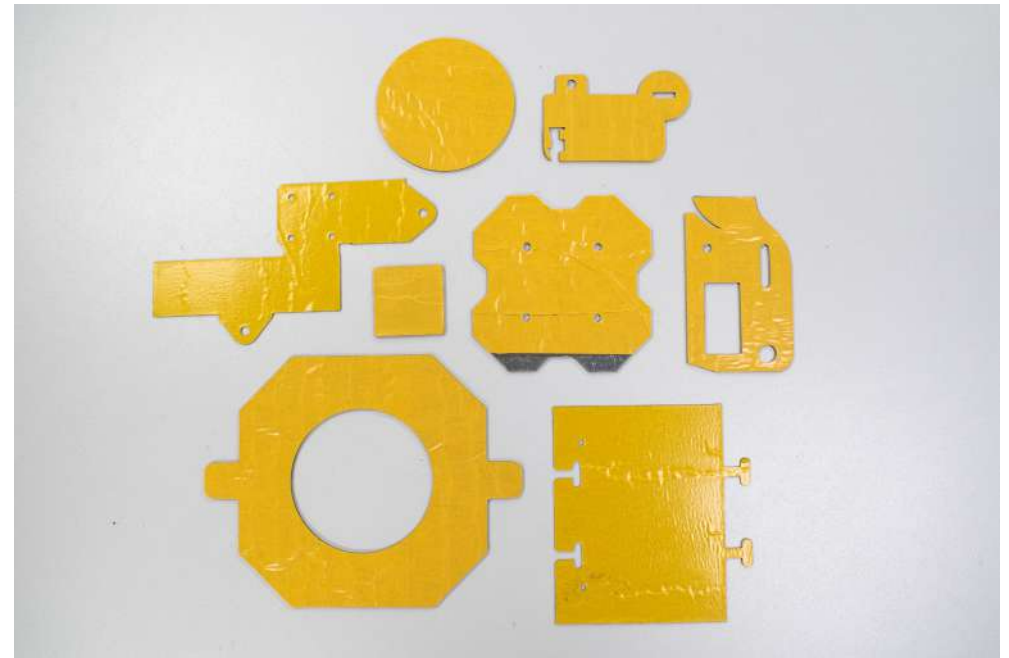
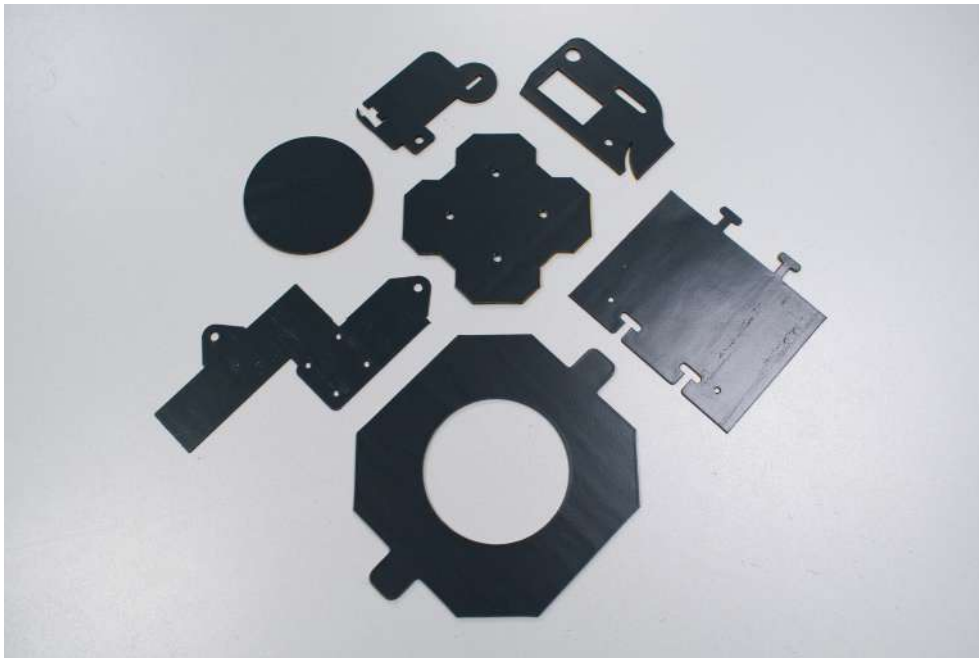
LP-ADHESIVE

## Specifications

Finishing material	Coated lead RAL 7016
Shielding material	Lead
Shielding thickness	0.5 / 1 / 1.5 / 2 mm
Dimensions	Shape according to your drawings or specifications

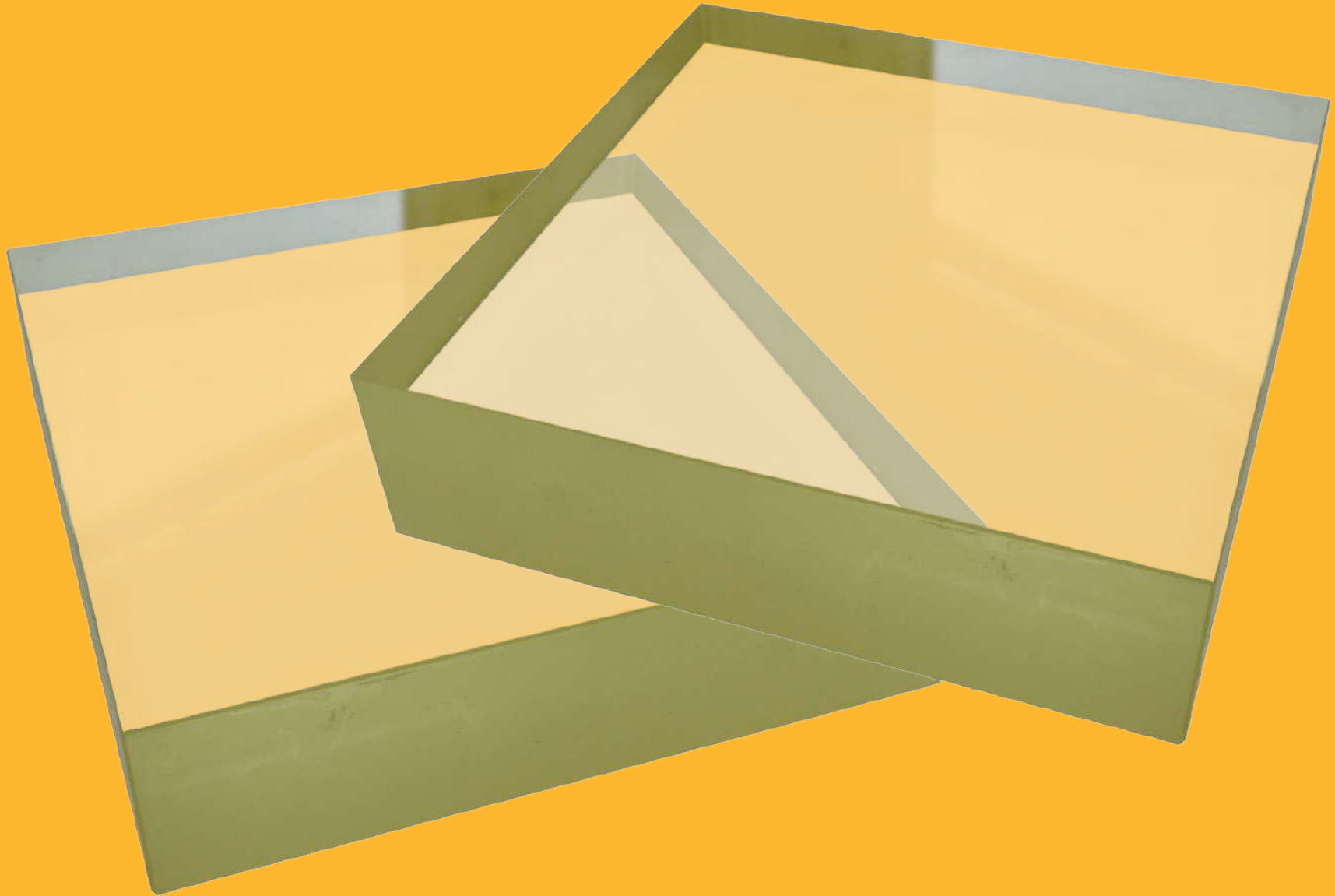
## Features

- **Custom made to your shape**
- Optimized for easy application of lead lining
- Available in various lead thicknesses





**NUCLEAR  
SHIELDS**



# LEAD GLASS

LG100 - LG200

## Specifications

Shielding material	Lead
Density	According to requests
Shielding thickness	According to requests
Outside dimensions	According to requests

## Features

- Can be customized to your requirements
  - Holes can be added to the lead glass
  - Rounded edges possible
  - Can be integrated into product or inside a frame
  - Square and tubular lead glass available
- [Send us your drawings for customized lead glass parts!](#)







# LEAD WOOL BLANKETS

LBN11

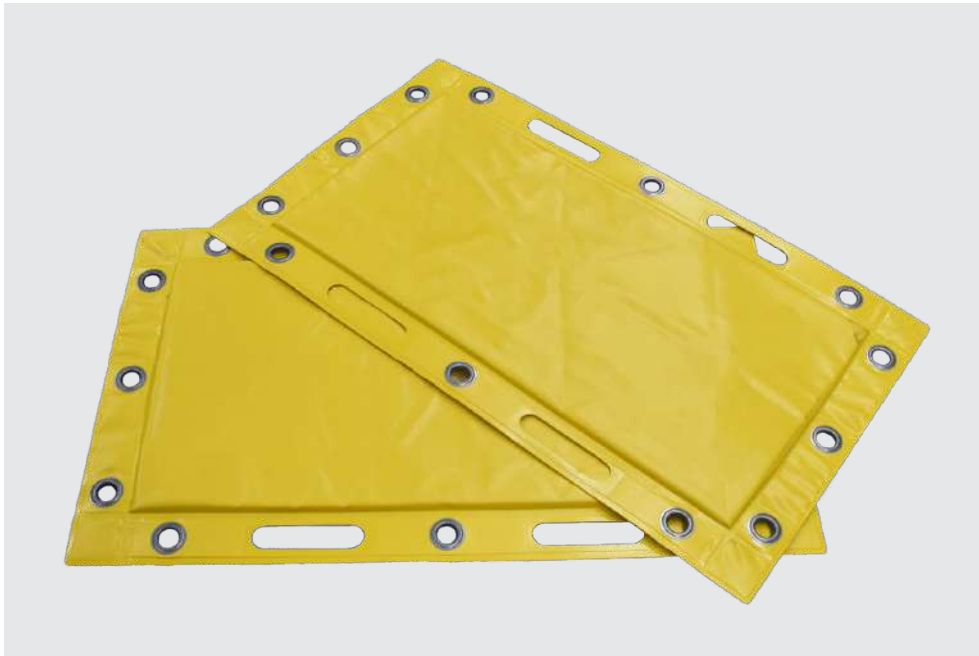
## Specifications

Finishing material	PVC laminated reinforced with nylon fibre
Shielding thickness	6 mm lead equivalence
Attenuation	35% minimum for Cobalt-60
Outside dimensions	950 x 550 mm
Shielding dimensions	800 x 400 mm
Weight	24 Kg
Grommets strength	120 Kg (12 units per blanket)
Fire class	M2

## Features

- Handles for ergonomic handling
- Highly durable shielding solution
- Can be used for many applications
- Storage containers and lifting beams also available

Available in custom dimensions, custom printing and multiple colors.  
Ask for more information!





# NUCLEAR SHIELDS

## Nuclear Shields B.V.

Akkervoortweg 29  
5827AP, Vortum-Mullem  
The Netherlands

Tel. nr. +31 (0)485 561 140  
E-mail [Info@nuclear-shields.com](mailto:Info@nuclear-shields.com)  
Website [www.nuclear-shields.com](http://www.nuclear-shields.com)  
VAT NL857196881B01

### ABN AMRO Bank

IBAN NL94ABNA0246385561  
BIC ABNANL2A

### Chamber of Commerce Eindhoven

Reg. nr. 67846769

### Document: Nuclear Shields Catalog

Revision	Modified By	Modified On	Modifications
2020-01	Rens Korsten (RKO)	16-Jan-2020	First revision created
2021-04	Rens Korsten (RKO)	20-Apr-2021	Products added / updated
2022-02	Rens Korsten (RKO)	28-Jan-2022	Products added / updated
2022-10	Tim van der Krabben (TKR) Sem Verberk (SVE)	12-Okt-2022	Products added / updated

### Disclaimer

Nuclear Shields strives to provide the most up-to-date catalog possible. Should, despite these efforts, the information or the content in this catalog be incomplete and/or incorrect, we cannot accept liability for it.